

1

2

3

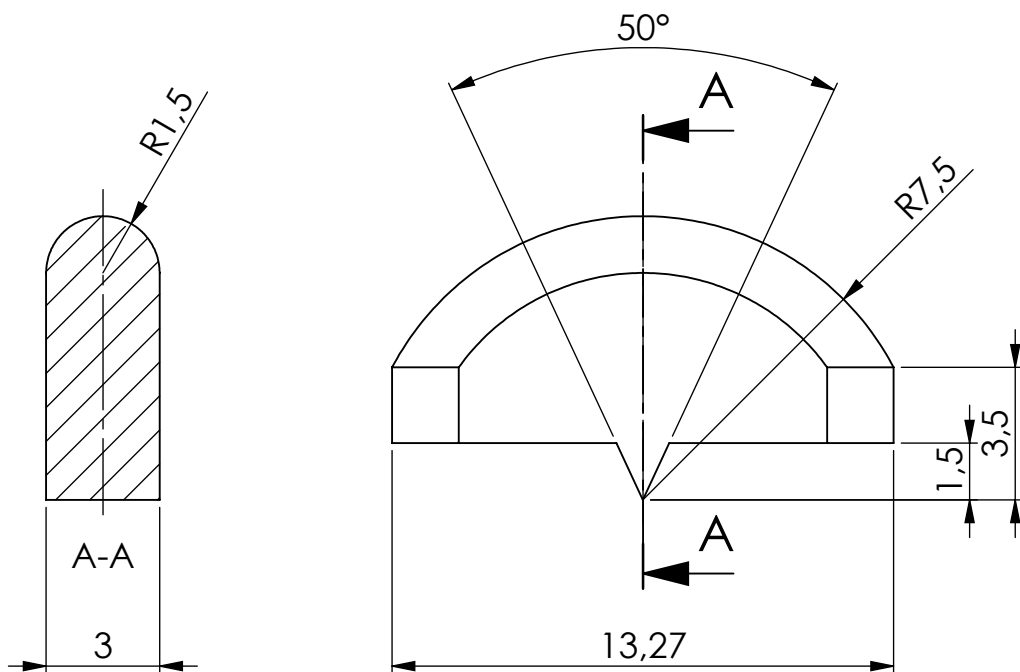
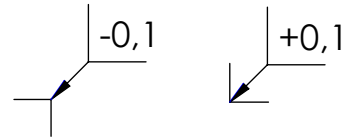
4

A

B

C

D



Customer				Tolerances		Finish		Scale 5:1	Weight gr.		
				ISO 2768-mK DIN 6784				Material PF7595			
				Date	Name	Title					
				Drawn	08.09.09	C.V.	Radwippe R7,5				
				Checked	08.09.09	C.V.					
				Checked	08.09.09	C.S.					
				Copy	15.09.2009						
							Drawing-No.			Sheet	
							ZW007-01-001			1	
00	Ursprung	08.09.09	C.V.				EDV-No.			DIN A4	
State	Modification	Date	Name								

This drawing is property of Elliptec AG. Any copy, utilization or communication to a third party is prohibited and will be prosecuted by court.