



NEWSLETTER ELLIPTEC 12/2009

Dear Sir or Madam,

Welcome to this new issue of Elliptec's Newsletter, presenting updates on our piezoelectric drives and technologies.

For questions and comments, please feel free to contact us at info@elliptec.com

Visit Elliptec's website at www.elliptec.com for further information and application examples, or [contact us by phone](#).

Elliptec AG, Dortmund

Content:

- [1. New Driver-kits: ZE026-01-001 and ZE081-02-001](#)
- [2. Driving elements available on website](#)
- [3. Season's Greetings](#)

1. New Driver-kits: ZE026-01-001 and ZE081-02-001

The [ZE026-01-001](#) is a small X15G driver-kit based on an ATmega644 microcontroller and an IRF2302 power stage. The [ZE026-01-001](#) is designed for driving one Elliptec Motor X15G via USB commands. For position feedback, an external quadrature encoder can be connected on the board via a JST04 connector.

With its large Flash/SRAM, fast 20MHz operating speed and additional 5 microcontroller pins that can be accessed via a Harting connector, the [ZE026-01-001](#) board is suitable for building new drive applications.

The [ZE026-01-001](#) can now be ordered. The corresponding datasheet is available in the [download section](#) of our website.



If your application requires two Elliptec Motors X15G, the new driver-kit [ZE081-02-001](#) is the right choice. Also based on an ATmega644 microcontroller and an AAT4900 power stage, the [ZE081-02-001](#) drives two Elliptec X15G piezo motor sequentially via USB commands. For position feedback, an external quadrature encoder can be connected on the board via JST06 connector.

To support new drive applications, the [ZE081-02-001](#) board features large Flash/SRAM, fast 20MHz operating speed, and an additional two microcontroller pins that can be accessed via pin header.

The [ZE081-02-001](#) can now be ordered. The corresponding datasheet is available in the [download section](#) of our website.

2. Driven elements available on website

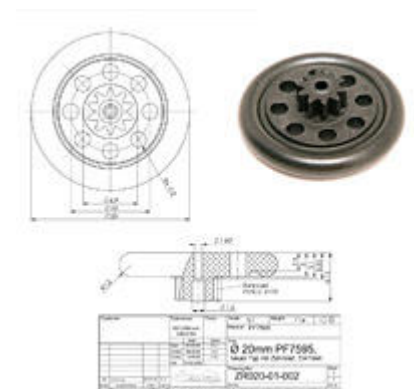
The Elliptec Motor X15G needs a driven element for operation, for example a wheel or a slider. Elliptec has approved two materials for driven elements that ensure the specified performance and lifetime. The two plastics IXEF1032 and PF7595 are available as bulk material from which prototypes can be machined.

Elliptec now also offers several injection molded [driven elements](#) to be used with the Elliptec Motor X15G.

For the majority of customer projects, it is sensible to tailor the driven element to the specific application. For evaluation and prototyping, or if the kinematics is fairly simple, these standard elements are appropriate.

Driven elements of the following type are available on our [website](#):

- Wheels
- Wheel segments
- Semi-circular wheel segments
- Slider bearings
- Sliders
- Bulk materials: Boards



For order numbers, technical drawings and product pictures, please visit our [website](#).

3. Season's Greetings

We would like to use this opportunity to wish all our customers and readers of our newsletter Happy Holidays and a Peaceful, Healthy and Prosperous 2010!



If you would like to unsubscribe from this newsletter, simply reply to this email with "UNSUBSCRIBE" in uppercase letters in the subject line, or click [here to automatically create the email message](#).

